

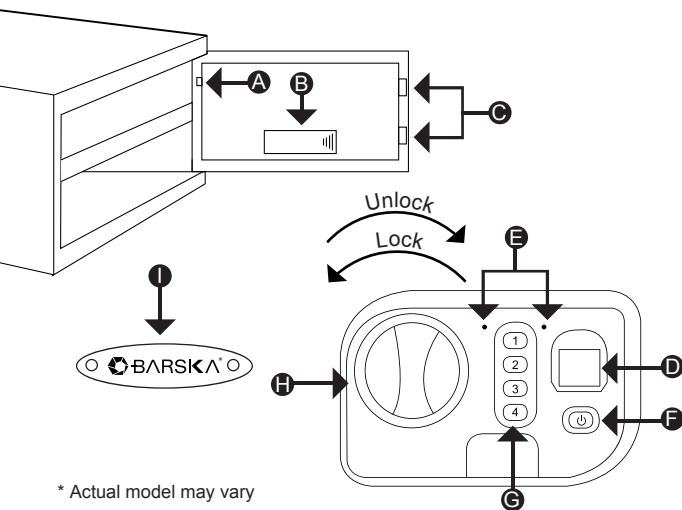


User's Manual for Biometric/Key Pad Safe

Read all instructions before using this safe.

WARNING

- Safe can be opened by either Fingerprint, PIN code, and/or Emergency Keys.
- If user resets the safe to Factory Default mode: ANY fingerprint and Factory Default PIN code can open the safe.
- Register both Fingerprint and PIN code to disable Factory Default mode.
- Register at least two different fingerprints and test a few times before closing the safe door.
- Test with a non-registered fingerprint. If the safe opens, the safe is still in Factory Default mode.
- Avoid leaving safe door open and unattended; it will allow unauthorized individuals to add their fingerprints and/or reprogram the safe, gaining full access to the safe and the contents.
- Test the Emergency Keys and store them in a secure place, NOT inside of the safe.
- To maximize the security and performance of the safe, test registered fingerprints every 6 months.



* Actual model may vary

- A. Initialization Button
- B. Battery Compartment
- C. Bolts
- D. Fingerprint Scanner
- E. Indicator Lights

- F. Enter Button
- G. Key Pad
- H. Knob
- I. Logo Plate and Emergency Key Access

GETTING STARTED

1. Remove Emergency Keys from accessory package
 - To expose the Emergency Key Access, remove Logo Plate (I) screws with provided tool
 - Insert Emergency Key into key access, push and turn counter-clockwise
 - Turn the Knob (H) clockwise to open

Note: Store Emergency Keys in a secure place, NOT inside of the safe

2. Continue with INSTALL BATTERIES

INSTALL BATTERIES

1. With safe door open, remove Battery Compartment (B) cover
 - Insert 4 AA batteries and restore battery cover
 - Continue with FINGERPRINT REGISTRATION

FINGERPRINT REGISTRATION

IMPORTANT: The safe is in either Factory Default mode or Pre-registered mode, test safe to determine factory settings below

Factory Default mode: Safe can be opened with ANY fingerprint(s)

Pre-registered mode: Safe can NOT open with any fingerprint(s)

During registration the door must remain open and Bolts (C) must be in the retracted position. Otherwise, the fingerprint will not be saved

To retract bolts:

- Insert Emergency Key into key access, push and turn counter-clockwise
- Turn the Knob (H) clockwise to retract bolts

1. Press and release Initialization Button (A)
2. Immediately place a finger on the Fingerprint Scanner (D)
 - Hold finger still
 - Two beeps will be heard recognizing the fingerprint; followed by one long beep
 - Remove finger
 - Registration is complete

Successful Registration

Registration is successful when two short beeps are heard, followed by one long beep

Unsuccessful Registration

Registration failed if two short beeps are heard, followed by three short beeps

3. To register another fingerprint, repeat steps 1 - 2
4. Continue with TEST A (NON) REGISTERED FINGERPRINT

Fingerprint Memory Full

If the Indicator Lights (E) flash and beep twice followed by a few green flashes, it indicates the memory is full. Refer to DELETE STORED FINGERPRINTS AND PIN CODE / RESET TO FACTORY DEFAULT MODE for more options

TEST A (NON) REGISTERED FINGERPRINT

1. Test multiple Non-Registered fingerprints
 - Close safe door and lock by turning the Knob (H) counter-clockwise
 - To begin the testing process, press and release Enter Button (F)
 - Place a non-registered finger on the Fingerprint Scanner (D)
 - Door should NOT open; three short beeps will be heard
 - If the door opens with a non-registered fingerprint, registration was unsuccessful; the safe remains in Factory Default mode

IMPORTANT: If registration was unsuccessful repeat steps under FINGERPRINT REGISTRATION, and test non-registered fingerprint

2. Test Registered fingerprint
 - Close safe door and lock by turning the Knob (H) counter-clockwise
 - To begin the testing process, press and release Enter Button (F)
 - Place a registered finger on the Fingerprint Scanner (D)
 - Door should OPEN, one long beep will be heard, turn the Knob (H) clockwise to open the safe
 - Fingerprint registration was successful

3. Continue with PIN CODE REGISTRATION

PIN CODE REGISTRATION

IMPORTANT: Safe only retains one PIN code; Factory Default PIN code is 1234

1. Press and HOLD number "1" key until the green Indicator Light (E) turns on, release button
 - Enter Factory Default PIN code 1234, press Enter Button (F), one long beep will be heard
 - Enter new PIN code (four to eight digits), press Enter Button (F), two short beeps will be heard
 - Re-enter new PIN code, press Enter Button (F), one long beep will be heard
 - Registration is complete
2. If you hear three short beeps with red/green Indicator Lights (E) flashing, it indicates the new PIN code registration was unsuccessful, repeat step 1
3. Continue with TEST A (NON) REGISTERED PIN CODE

TEST A (NON) REGISTERED PIN CODE

1. Test Factory Default PIN code 1234
 - Close safe door and lock by turning the Knob (H) counter-clockwise
 - To begin the testing process, enter PIN code 1234, press and release Enter Button (F)
 - Door should NOT open; three short beeps will be heard indicating PIN entry was incorrect
 - If Factory Default PIN code 1234 opens the safe door, PIN code registration was unsuccessful; and safe remains in Factory Default PIN code mode

IMPORTANT: If registration was unsuccessful repeat steps under PIN CODE REGISTRATION, and test Factory Default PIN code

2. Test Registered PIN code
 - Close safe door and lock by turning the Knob (H) counter-clockwise
 - To begin the testing process, enter new registered PIN code, press and release Enter Button (F)
 - Door should OPEN, one long beep will be heard indicating PIN entry was correct, turn the Knob (H) clockwise to open the safe
 - PIN code registration was successful

CHANGE PIN CODE

1. Press and HOLD number “1” key until the green Indicator Light (E) turns on, release button
 - Enter current PIN code, press Enter Button (F), one long beep will be heard
 - Enter new PIN code (four to eight digits), press Enter Button (F), two short beeps will be heard
 - Re-enter new PIN code, press Enter Button (F), one long beep will be heard
 - PIN code has been changed
2. If you hear three short beeps with red/green Indicator Lights (E) flashing, it indicates the new PIN code registration was unsuccessful, repeat steps under CHANGE PIN CODE
3. Continue with TEST A (NON) REGISTERED PIN CODE

CLOSE/OPEN SAFE DOOR

CLOSE: Close the safe door and turn the Knob (H) counter-clockwise to lock the safe

OPEN WITH FINGERPRINT:

- Press and release Enter Button (F)
- Place a registered finger on the Fingerprint Scanner (D)
- One long beep will be heard and the green Indicator Light (E) turns on
- Turn the Knob (H) clockwise to open the safe

OPEN WITH PIN CODE:

- Enter PIN code, press Enter Button (F)

- One long beep will be heard and the green Indicator Light (E) turns on
- Turn the Knob (H) clockwise to open the safe

DOOR OPEN ALARM

The door alarm is activated ONLY when the safe door is left open and the Bolts (C) are retracted

1. Within 1 minute, the green Indicator Light (E) will start flashing, followed by one beep
 - It will beep every 3-5 seconds
 - Close the safe door, and turn the Knob (H) counter-clockwise to cease the alarm
2. With the safe door open and the Bolts (C) extended, no Indicator Lights (E) or beeps will be heard

LOW BATTERY WARNING

1. When the door is closed and the Indicator Light (E) displays red, this indicates batteries are low. Replace batteries immediately
2. Use Emergency Key to open safe
 - To expose the Emergency Key Access, remove Logo Plate (I) screws with tool provided
 - Insert Emergency Key into key access, push and turn counter-clockwise
 - Turn the Knob (H) clockwise to open
3. Replace batteries
 - Remove Battery Compartment (B) cover and all 4 AA batteries
 - Insert 4 new AA batteries and restore Battery Compartment (B) cover

Note: All registered fingerprints and PIN code remain stored

DELETE STORED FINGERPRINTS AND PIN CODE / RESET TO FACTORY DEFAULT MODE

1. Open the safe door
 - Press and HOLD the Initialization Button (A)
 - The green Indicator Light (E) will flash approximately fifteen times, followed by one long beep
 - RELEASE Initialization Button (A)
2. If the green Indicator Light (E) did not flash and one long beep was not heard, repeat step 1
3. All fingerprints and the PIN code stored in the safe have been deleted

Note: The safe is in Factory Default mode. ANY fingerprint and Factory Default PIN code 1234 can open the safe

CARE AND MAINTENANCE

- To maximize the security and performance of the safe, keep Fingerprint Scanner (D) clean; use a dry cloth to remove any smudges or prints off the Fingerprint Scanner after each use

- Test registered fingerprints and PIN code every 6 months

- Keep liquids away from the control panel. Spills on the control panel will cause damage and possibly electric shock

- Secure safe in a proper area to prevent from falling and causing damage or injury

- DO NOT disassemble the product. For all repairs, contact BARSKA Customer Service

- DO NOT use chemicals or cleaning agents to clean the safe

MOUNTING INSTRUCTIONS

The safe may be mounted to a wall or floor. Be aware of the load bearing. Failure to do so can result in personal injury and/or damage to property. Use appropriate tools when performing work and always use eye protection

Wall Mounting

Do not mount the safe without anchoring to the wall

- Find the studs in the wall, at your desired location. Most studs are 16 inches or 24 inches apart

- Check the wall for concealed wires or pipes

- Measure the location of the pre-set drill holes; mark their exact position onto the wall ensuring that the studs or anything else behind will not interfere

- Drill the appropriate size holes for the anchors you are using

- Carefully press the anchor into the holes at this time

- Mount the safe by running screws from inside of the safe and securing to anchors; ensure the safe is mounted securely

Floor Mounting

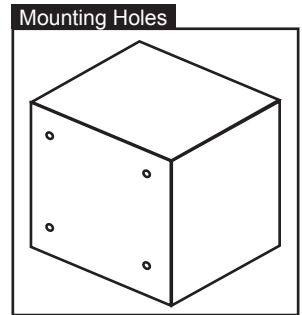
- Use proper drill tools depending on the type of floor you are mounting the safe (wood, tile, or concrete)

- Measure the location of the pre-set drill holes; mark their exact position onto the floor

- Drill the appropriate size holes for the anchors you are using

- Carefully press the anchor into the holes at this time

- Mount the safe by running screws from inside of the safe and securing to anchors; ensure the safe is mounted securely



* Actual model may vary