

Specification

Model	LVDLIR21SHE
Pick up Element	1/3" SONY Super HAD CCD II
Effective Picture Elements (H×V)	NTSC:976(H)×494(V) PAL:976(H)×582(V)
Horizontal Resolution	700 TV Line
Minimum Illumination	0.001 Lux/F1.2 0Lux (with IR LED ON)
S/N Ratio	More than 52dB
Scanning System	2:1 interface
Synchronous System	Internal, Negative sync.
Auto Electronic Shutter	NTSC: 1/60s~1/100,000s, PAL: 1/50s~1/100,000s
Gama Characteristic	0.45
IR Distance	20 Meters (with ϕ 5X21PCS Infrared LED)
Video Output	1Vpp, 75 Ω
Auto Gain Control	Auto
Power/Current	DC12V (+/-10%)/350mA
Lens	2.8-12mm Manual Zoom Lens
Dimension (mm)	ϕ 149x 99(H)
Weight (g)	1000
Storage Temperature	-30~+60 $^{\circ}$ C RH95% MAX
Operating Temperature	-10~+50 $^{\circ}$ C RH95% MAX

Packing List

No	Name	Model	Number
1.	Vandalproof IR Dome Color Camera	LVDLIR21SHE	1
2.	User Guide	LVDLIR21SHE	1

Franchiser:

LVDLIR21SHE Color Camera

Vandalproof IR Dome Color Camera



Notes : Before providing power for the camera, please read this User Guide in detail!

Do not attempt to disassemble the camera. If the camera can not work, please contact local franchiser or our company.

BRIEF OF PRODUCT

* Sensor (CCD)

Adopt SONY 1/3" CCD Sensor.

* Auto Gain Control (AGC)

Built-in auto gain control (AGC) circuit. The color camera can get high definition picture in low Lux condition.

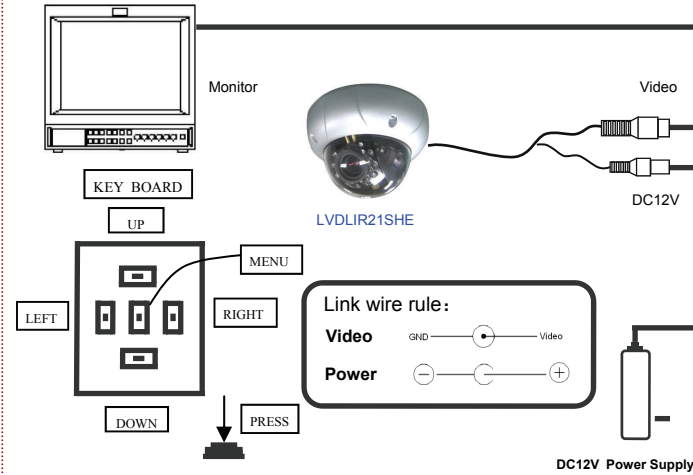
* Scanning Mode

NTSC or PAL mode.

* OSD SETTING

	LENS	MANUAL	
		AUTO	TYPE:DC/VIDEO
SHUTTER/AGC	AUTO	MODE:CLOSE/AUTO/OPEN SPEED:0-255	
		HIGH LUMINANCE MODE:SHUT+AUTO IRIS/AUTO IRIS	
		BRIGHTNESS:0-255	
	MANUAL	LOW LUMINANCE MODE:OFF/AGC	
		BRIGHTNESS: ×0.25, ×0.5, ×0.75, ×1	
		MODE:SHUT+AGC	
WHITE BAL	ATW	SPEED/DELAY CNT/ATW FRAME/ENVIRONMENT	
		PUSH/ANTI CR/PUSH LOCK/USER1/USER2/MANUL	
BACK LIGHT		OFF/BLC/HLC	
PICT ADJUST		MORROR/BRIGHTNESS/CONTRAST/SHARPNESS/HUE/GAIN	
ATR	OFF		
	ON	LUMINANCE/CONTRAST	
MOTION DET	OFF		
	ON	DETECT SENCE/BLOCK DISP/MONITOR AREA/ AREA SEL/TOP/BOTTOM/LEFT/RIGHT	
PRIVACY	OFF		
	ON	AREA SEL/TOP/BOTTOM/ LEFT/RIGHT/ COLOR/TRANSP/MOSAIC	
DAY/NIGHT	COLOR		
	BW	BURST:OFF/ON	
	AUTO	BURST:OFF/ON	
NR	NR	MODE:Y/C,OFF,Y,C	
CAMERA ID	OFF/ON		
SYNC	INT		
LANGUAGE		ENGLISH/CHINESS/JAPANESS/ESPANOL/PORTUGUES/ PYCCKNN/FRANCAIS/DEUISCH	
CAMERA RESET/BACK/EXIT/SAVE ALL			

CONNECTING



TROUBLE AND SOLUTION

1. No Picture after providing power

- May be the power supply voltage abnormality, please check the power supply voltage and pole whether exactitude.
- Please check all the connecting cable and monitors whether be connected correctly or not.

2. The picture level direction have flowing interference ripples

- May be caused by the power supply AC ripples, it need filter the wave of the power supply.
- Check the monitor and peripheral equipments used.

3. The picture background color changes continuously

- The fluorescent lamp's electromagnetic field cause color roll. This is proper phenomenon of the cameras.
- Reduce the fluorescent lamp numbers or increase the distance between the camera and the fluorescent lamps can improve it.
- Use power supply external sync. camera can solve it.

4. The picture smear too mass

- The power supply's voltage unstable.
- Connecting cables not connect correctly or have high impedance.



Notes:

- The power supply must through safe attestation. Its output voltage, current, voltage polarity and operating temperature must match the camera's requirement.
- When using the camera in the thunderbolt condition, please note to mount Anti-thunder device or put off the power supply plug and cable.
- In order to capture high quality pictures, the power supply's cable and video output cable should not be too long.

INTRODUCTION

Congratulations on your purchase of this product. This User Guide suits LVDLIR21SHE product. We adopt the latest SONY technical of sensor and driver. The most attractive characteristics are small and easy hidden, suits the elevator and corridor. In addition, it owns the characters of high definition and stability, strong anti-jamming, rich and real color. Fixing and using this model are convenient too. It is very good for you to apply to your CCTV system.

Please read this instruction manual carefully to ensure proper use of the product.



To prevent fire or shock hazardous. Do not expose the unit to rain or moisture.



The symbol is intended to alert the user to the presence of important operating and maintenance (servicing) Instructions in the literature accompanying the appliance.



The symbol is intended to alert the user to the presence of uninsulated 'dangerous voltage' within the product's enclosure that may be of sufficient Magnitude to constitute a risk of electric shock to persons.

CAUTION:

RISK OF ELECTRIC. DO NOT OPEN

SHOCK

CAUTION: TO REDUCE THE RISK OF ELECTRIC
DO NOT REMOVE COVER OR BACK NO USER
SERVICEABLE PARTS INSIDE. REFER SERVICING

CAUTION: TO PREVENT ELECTRIC SHOCKS AND RISK OF
FIRE HAZARDS, DO NOT USE OTHER THAN
SPECIFIED POWER SOURCE.

Note:

- Please note the camera's operating temperature and its using environment requirement. Avoid using the camera at too high or too low temperatures. The operating temperature is -30~+60°C. (Recommendatory operating temperature is -10~+50°C.)
- Never make the camera face the sun or bright object. Otherwise, it will damage the CCD.
- Do not mount the camera near by the radiator or heater.