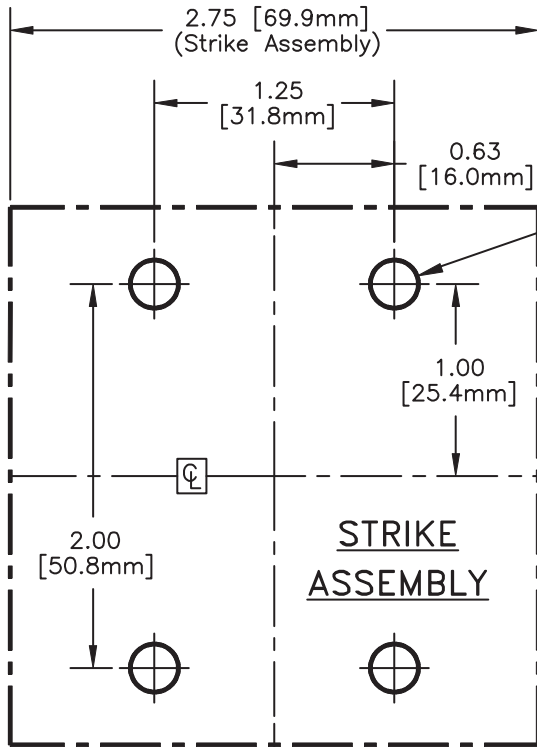
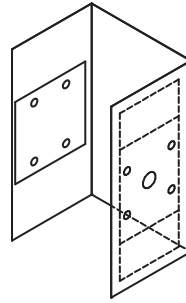


CUT ALONG THIS LINE

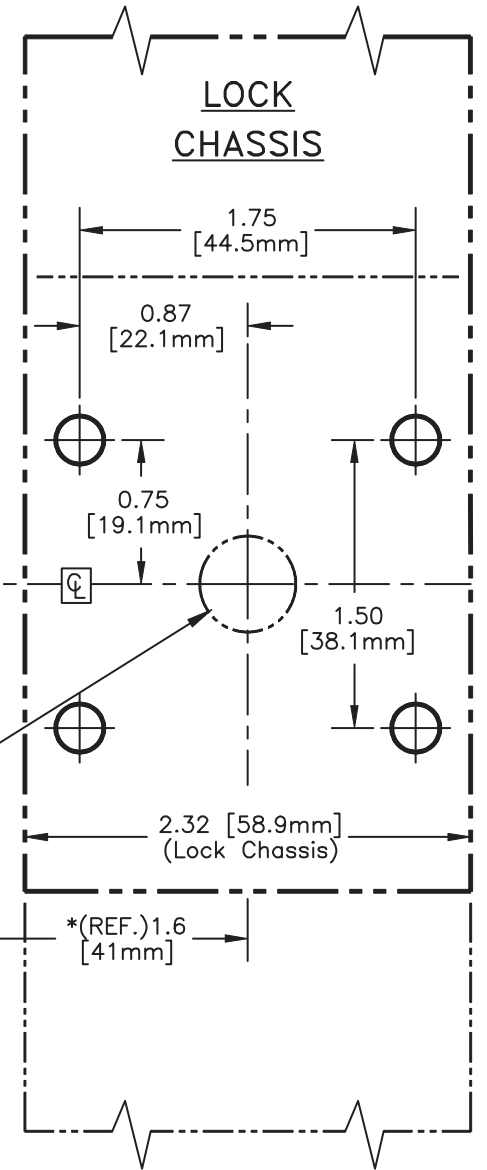


Drill & Tap for 1/4-20 UNC (or M6-1.0 for Metric) Screws (provided)

### Gate Lock Installation Template

**Note:** Template layout as shown is for mounting the Lock to the right side. To reverse orientation (Lock to left) Invert the template.

If optional rear wire access hole is to be used, drill 1/2" [12.7mm] diameter hole through mounting surface & cut hole through gasket on lock chassis.



FOLD ALONG THIS LINE

FOLD ALONG THIS LINE

\*(REF.)1.6 [41mm] 4.0 [102mm] \*(REF.)1.6 [41mm]

\* These dimensions should be considered the recommended minimum to center of mounting from any adjacent surfaces. This ensures proper clearance for cover installation and removal. These dimensions should also be the same value from the common edge to maintain proper center-to-center alignment between the lock and the strike.

**SECURITRON**

**ASSA ABLOY**

DO NOT Photocopy this template!  
(Proper/proportional scale may be lost)

CUT ALONG THIS LINE

- INSTRUCTIONS:**
1. Refer to product installation and operating instructions for additional guidance and mounting details.
  2. Cut out template and fold at indicated lines. (Lock & strike hole pattern layouts may be cut out separately on the fold lines and used independently as long as center alignment is maintained).
  3. Close gate and verify 4.0" [102mm] distance between the lock and strike mounting surfaces.
  4. Position template orienting the lock chassis and strike assembly hole patterns over their mounting surfaces as desired.
  5. Mark hole centers and center punch for drill point index.
  6. Drill holes for mounting as required.